

External Alarm Activation

An external alarm can be connected to the C Plus so that when a particular type of message is received, like an emergency message, the external alarm sounds or a visual indicator illuminates.

Enabling the Feature:

OUT 1 and OUT 2 are open collector outputs capable of sinking up to 500 mA to within 0.7v of signal ground. These outputs are programmable to be associated with received message types. When the associated message type is received, the output goes low for two seconds.

Message types are associated to one of the two outputs by an entry in the message table.

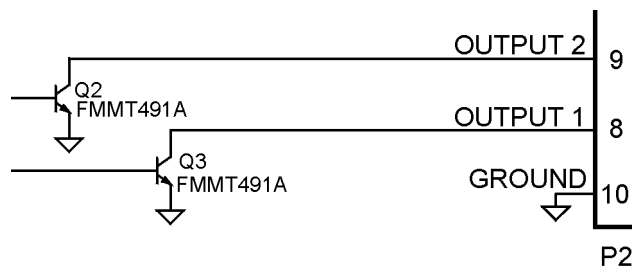
Example Message Table entry:

000-0111, E, EMRGNCY, 3, 1

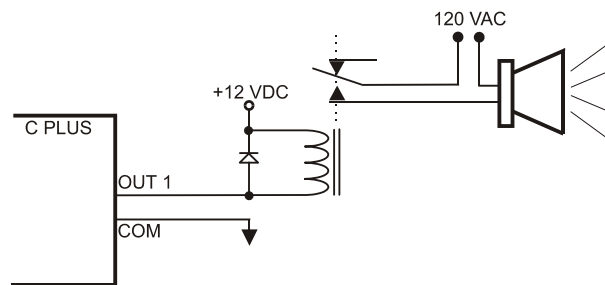
This entry would assign the GE Star® standard emergency message (000-0111) to Beep type 3 and to activate output 1.

Connecting the C Plus to an external alarm:

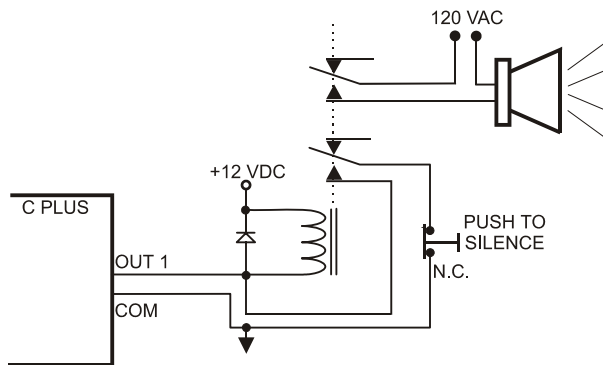
The circuitry associated with Out1/Out2 is diagrammed below:



These are open collector transistors capable of sinking up to 500 mA when activated. They will be active for 2 seconds whenever the associated message type is received. A suggested method to connect this to an external horn is diagrammed below:



In this example, the horn will sound for 2 seconds and then relax. An enhancement to this circuit would be to use extra contacts to "latch" the relay:



With this circuit, when an emergency is received, the horn will sound continuously until the Silence button is pressed.

Special Requirements:

The C Plus message table must be edited to reflect Out1/Out2 association with specific message types.

External equipment may be necessary as in the examples above

Additional Information:

In a similar manner, instead of a high power horn, alert lights can be activated, auto-dialers can be operated, or even doors can be unlocked.

See Also:

Message Table manipulation

Communicating with the C Plus using Hyperterm